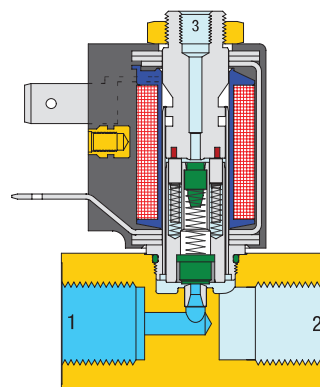
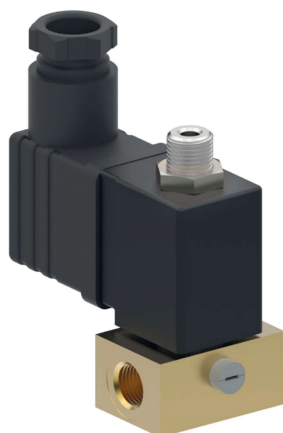


**DIGMA Solenoid Valves Type EAV Series 200**


Solenoid valve series with familiar constructional design, however with significantly improved magnetic circuit.

On the lower part of the guide tube a magnetic nipple is welded on, which reduces the magnetic resistance of the circuit.

This improvement enables among other things the use of solenoid valves with significantly reduced power consumption and thus lowers the self-heating of the system.

A further feature of this series is the especially strong and corrosion-resistant construction. Solenoid coils with four graduated performance classes enable convenient adjustment to various requirements, with respect to nominal width, diameters, operating pressure, power consumption, Type of current or permitted self-heating.

**CHARACTERISTICS**
**GENERAL**

<b>Constructional design</b>	Seat valve, rubber seals			
<b>Product name</b>	2/2-way solenoid valve		3/2-way solenoid valve	
<b>Actuation</b>	electric, direct-acting, resting manual override optional			
<b>Product type</b>	EAV-2..-A..	EAV-2..-B..	EAV-2..-C..	EAV-2..-D..
<b>Function</b>	"A" normally closed (closing with flow)	"B" normally open (closing against current)	"C" normally closed with "1", "2" to "3" discharged (closing against current)	"D" in 0 position "1" to "2" open, "3" closed (closing against current)
<b>Nominal diameter</b>	DN 1.2 to DN 2.2		DN 1.2 to DN 1.8	
<b>Connection</b>	M 5 or pipe thread (ISO 228) G 1/8 to G 1/4			
<b>Ambient temperature</b>	-20 °C to +60 °C (others on request)			
<b>Medium temperature</b>	with NBR: -10 °C to +90 °C for FKM: -10 °C to +130 °C (for exceptions see table)			
<b>Medium viscosity</b>	up to approx. 20 mm <sup>2</sup> /s			
<b>Valve body material</b>	Brass			
<b>Manual override</b>	PPE (Polyphenylene ether)			
<b>Seat nozzle material</b>	Stainless steel			
<b>Other inner component material</b>	Stainless steel and non-ferrous metal. DC non-ferrous metal-free version			
<b>Seal material</b>	NBR (Nitrile rubber) or FKM (Fluoride rubber) (others on request)			
<b>Mounting method</b>	2 M3 tapped holes in valve body or using rigid pipework			
<b>Mounting position</b>	optional, preferably upright			
<b>PNEUMATIC - HYDRAULIC</b>				
<b>Nominal pressure</b>	According to Type table. The numerical value of the nominal pressure PN signifies the permitted excess operating pressure OP in bar at 60 °C ambient temperature and 60 °C medium temperature. Insofar as two values are given, the first value refers to solenoid coils with highest electrical power consumption, the second value to that with lowest power consumption.			
<b>Pressure range</b>	Technical vacuum up to permitted operating pressure OP. For exceptions which refer to minimum permitted operating pressure see table.			
<b>Flow rate</b>	Kv-value and QNn-value according to Type table			
<b>Medium</b>	gaseous or liquid Sealing material NBR: e.g. compressed air, water, hydraulic fluids, neutral gases Sealing material FKM: e.g. solvents, hot water, hot air			
<b>Response time</b>	opening time: 7 - 20 ms closing time: 12 - 20 ms			
<b>Electrical</b>	see solenoid coils			

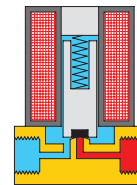
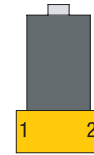
**2/2-Way Solenoid Valve - Type EAV Series 200**

 Price group **51**

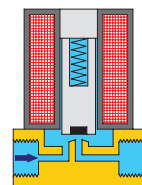
"A" normally closed NC

**Brass**

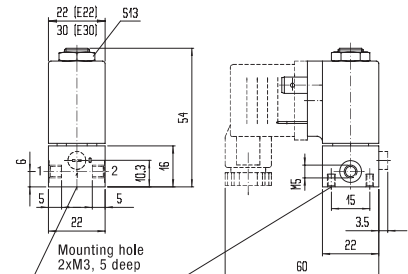
Version	DN	Kv-value water [m³/h]	QnN-value air [l/min]	G	PN	Sealing material	Type	Order number	Price
without manual override for all AC and DC coils	1.2	0.05	50	M5	40/16	NBR	EAV-211-A12-M05BK-00	605001	o. r.
	1.2	0.05	50	M5	40/16	FKM	EAV-211-A12-M05FK-00	605002	o. r.
	1.2	0.05	50	G 1/8	40/16	NBR	EAV-211-A12-1/8BK-00	605003	o. r.
	1.2	0.05	50	G 1/8	40/16	FKM	EAV-211-A12-1/8FK-00	605004	o. r.
	1.5	0.06	68	M5	32/6	NBR	EAV-211-A15-M05BK-00	605007	o. r.
	1.5	0.06	68	M5	32/6	FKM	EAV-211-A15-M05FK-00	605008	o. r.
	1.5	0.06	68	G 1/8	32/6	NBR	EAV-211-A15-1/8BK-00	605009	o. r.
	1.5	0.06	68	G 1/8	32/6	FKM	EAV-211-A15-1/8FK-00	605010	o. r.
	1.8	0.11	125	M5	32/6	NBR	EAV-211-A18-M05BK-00	605013	o. r.
	1.8	0.11	125	M5	32/6	FKM	EAV-211-A18-M05FK-00	605014	o. r.
	1.8	0.11	125	G 1/8	32/6	NBR	EAV-211-A18-1/8BK-00	605015	o. r.
	1.8	0.11	125	G 1/8	32/6	FKM	EAV-211-A18-1/8FK-00	605016	o. r.
	2	0.12	145	M5	25/4	NBR	EAV-211-A20-M05BK-00	605019	o. r.
	2	0.12	145	M5	25/4	FKM	EAV-211-A20-M05FK-00	605020	o. r.
	2	0.12	145	G 1/8	25/4	NBR	EAV-211-A20-1/8BK-00	605021	o. r.
	2	0.12	145	G 1/8	25/4	FKM	EAV-211-A20-1/8FK-00	605022	o. r.
	2	0.12	145	G 1/4	25/4	NBR	EAV-211-A20-1/4BK-00	605023	o. r.
	2	0.12	145	G 1/4	25/4	FKM	EAV-211-A20-1/4FK-00	605024	o. r.
	2.2	0.13	165	M5	16/3	NBR	EAV-211-A22-M05BK-00	605025	o. r.
	2.2	0.13	165	M5	16/3	FKM	EAV-211-A22-M05FK-00	605026	o. r.
	2.2	0.13	165	G 1/8	16/3	NBR	EAV-211-A22-1/8BK-00	605027	o. r.
	2.2	0.13	165	G 1/8	16/3	FKM	EAV-211-A22-1/8FK-00	605028	o. r.
	2.2	0.13	165	G 1/4	16/3	NBR	EAV-211-A22-1/4BK-00	605029	o. r.
	2.2	0.13	165	G 1/4	16/3	FKM	EAV-211-A22-1/4FK-00	605030	o. r.
3	0.21	210	G 1/8	10/2	NBR	EAV-211-A30-1/8BK-00	605031	o. r.	
3	0.21	210	G 1/8	10/2	FKM	EAV-211-A30-1/8FK-00	605032	o. r.	
3	0.21	210	G 1/4	10/2	NBR	EAV-211-A30-1/4BK-00	605033	o. r.	
3	0.21	210	G 1/4	10/2	FKM	EAV-211-A30-1/4FK-00	605034	o. r.	
without manual override for all DC coils	1.2	0.05	50	M5	40/12.5	NBR	EAV-213-A12-M05BK-00	605051	o. r.
	1.2	0.05	50	M5	40/12.5	FKM	EAV-213-A12-M05FK-00	605052	o. r.
	1.2	0.05	50	G 1/8	40/12.5	NBR	EAV-213-A12-1/8BK-00	605053	o. r.
	1.2	0.05	50	G 1/8	40/12.5	FKM	EAV-213-A12-1/8FK-00	605054	o. r.
	1.5	0.06	68	M5	32/6	NBR	EAV-213-A15-M05BK-00	605057	o. r.
	1.5	0.06	68	M5	32/6	FKM	EAV-213-A15-M05FK-00	605058	o. r.
	1.5	0.06	68	G 1/8	32/6	NBR	EAV-213-A15-1/8BK-00	605059	o. r.
	1.5	0.06	68	G 1/8	32/6	FKM	EAV-213-A15-1/8FK-00	605060	o. r.
	1.8	0.11	125	M5	25/5	NBR	EAV-213-A18-M05BK-00	605063	o. r.
	1.8	0.11	125	M5	25/5	FKM	EAV-213-A18-M05FK-00	605064	o. r.
	1.8	0.11	125	G 1/8	25/5	NBR	EAV-213-A18-1/8BK-00	605065	o. r.
	1.8	0.11	125	G 1/8	25/5	FKM	EAV-213-A18-1/8FK-00	605066	o. r.
	2	0.12	145	M5	16/4	NBR	EAV-213-A20-M05BK-00	605069	o. r.
	2	0.12	145	M5	16/4	FKM	EAV-213-A20-M05FK-00	605070	o. r.
	2	0.12	145	G 1/8	16/4	NBR	EAV-213-A20-1/8BK-00	605071	o. r.
	2	0.12	145	G 1/8	16/4	FKM	EAV-213-A20-1/8FK-00	605072	o. r.
	2	0.12	145	G 1/4	16/4	NBR	EAV-213-A20-1/4BK-00	605073	o. r.
	2	0.12	145	G 1/4	16/4	FKM	EAV-213-A20-1/4FK-00	605074	o. r.
	2.2	0.13	165	M5	16/3	NBR	EAV-213-A22-M05BK-00	605075	o. r.
	2.2	0.13	165	M5	16/3	FKM	EAV-213-A22-M05FK-00	605076	o. r.
	2.2	0.13	165	G 1/8	16/3	NBR	EAV-213-A22-1/8BK-00	605077	o. r.
	2.2	0.13	165	G 1/8	16/3	FKM	EAV-213-A22-1/8FK-00	605078	o. r.
	2.2	0.13	165	G 1/4	16/3	NBR	EAV-213-A22-1/4BK-00	605079	o. r.
	2.2	0.13	165	G 1/4	16/3	FKM	EAV-213-A22-1/4FK-00	605080	o. r.
3	0.21	210	G 1/8	10/2	NBR	EAV-213-A30-1/8BK-00	605081	o. r.	
3	0.21	210	G 1/8	10/2	FKM	EAV-213-A30-1/8FK-00	605082	o. r.	
3	0.21	210	G 1/4	10/2	NBR	EAV-213-A30-1/4BK-00	605083	o. r.	
3	0.21	210	G 1/4	10/2	FKM	EAV-213-A30-1/4FK-00	605084	o. r.	
with manual override for all AC and DC coils	1.5	0.06	68	M5	12.5/6	NBR	EAV-221-A15-M05BK-00	605207	o. r.
	1.5	0.06	68	M5	12.5/6	FKM	EAV-221-A15-M05FK-00	605208	o. r.
	1.5	0.06	68	G 1/8	12.5/6	NBR	EAV-221-A15-1/8BK-00	605209	o. r.
	1.5	0.06	68	G 1/8	12.5/6	FKM	EAV-221-A15-1/8FK-00	605210	o. r.
	2	0.12	145	G 1/8	12.5/4	NBR	EAV-221-A20-1/8BK-00	605221	o. r.
	2	0.12	145	G 1/8	12.5/4	FKM	EAV-221-A20-1/8FK-00	605222	o. r.
	2	0.12	145	G 1/4	12.5/4	NBR	EAV-221-A20-1/4BK-00	605223	o. r.
	2	0.12	145	G 1/4	12.5/4	FKM	EAV-221-A20-1/4FK-00	605224	o. r.
	3	0.21	210	G 1/8	10/2	NBR	EAV-221-A30-1/8BK-00	605231	o. r.
	3	0.21	210	G 1/8	10/2	FKM	EAV-221-A30-1/8FK-00	605232	o. r.
	3	0.21	210	G 1/4	10/2	NBR	EAV-221-A30-1/4BK-00	605233	o. r.
	3	0.21	210	G 1/4	10/2	FKM	EAV-221-A30-1/4FK-00	605234	o. r.

**Illustration**


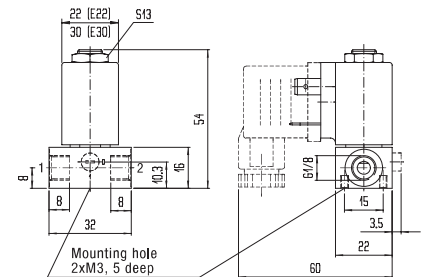
Normal position



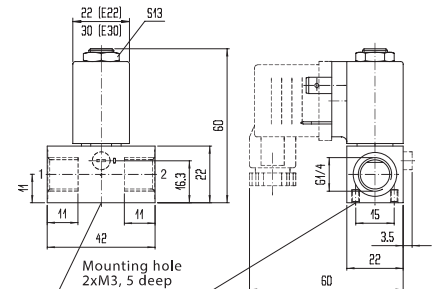
Operational position



Version with M5 Ports



Version with G 1/8 Port



Version with G 1/4 Port

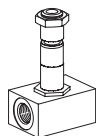
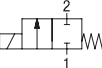
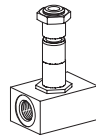
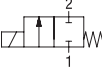
**Permitted Operating Pressure for 2/2-Way Solenoid Valve - Type EAV Series 200**

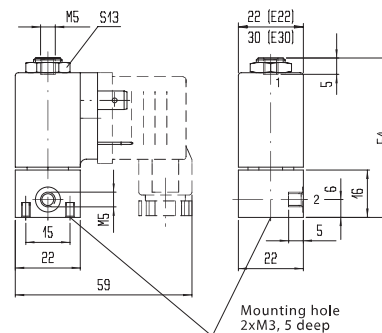
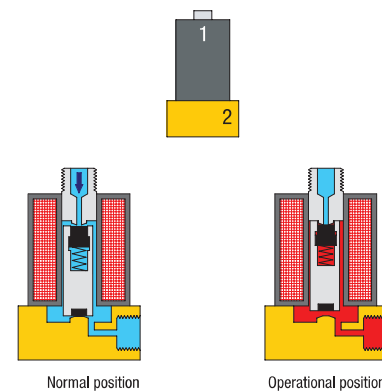
"A" normally closed NC

DN	Type	PN	Combinable solenoid coils			Permitted operating pressure [bar] at ambient temperature +60 °C																	
			Type	Nominal power P <sub>20</sub>			AC 50 Hz  90 %U <sub>N</sub> Medium temperature			AC 60 Hz  90 %U <sub>N</sub> Medium temperature			DC  90 %U <sub>N</sub> Medium temperature			DC  90 %U <sub>N</sub> Medium temperature			DC  100 %U <sub>N</sub> Medium temperature				
				AC 50 Hz [VA]	AC 60 Hz [VA]	DC [W]	60 °C	90 °C	130 °C	60 °C	90 °C	130 °C	60 °C	90 °C	130 °C	60 °C	90 °C	130 °C	60 °C	90 °C	130 °C		
				on req.	on req.	on req.	on req.	on req.	on req.	on req.	on req.	on req.	on req.	on req.	on req.	on req.	on req.	on req.	on req.	on req.	on req.	on req.	
1.2	EAV-211-A12..	40/16	E22...L.	3,5	on req.	2,5	16	13	12	16	13	12	15	10	9	8	6	4	9	8	7		
			E22...M.	5,5	5	5	40	35	30	40	35	30	30	25	20	20	18	15	23	21	20		
			E22...H.	-	-	8	-	-	-	-	-	-	-	-	40	35	30	30	25	20	38	32	28
	E30...P.	12	10,5	8	40	35	30	40	35	30	40	35	30	40	35	30	40	35	30	40	35	30	
	EAV-213-A12..	40/12,5	E22...L.	-	-	2,5	-	-	-	-	-	-	-	15	10	9	8	6	4	9	9	7	
			E22...M.	-	-	5	-	-	-	-	-	-	-	-	30	25	20	20	18	15	25	22	20
E22...H.			-	-	8	-	-	-	-	-	-	-	-	40	35	30	30	25	20	38	32	28	
E30...P.	-	-	8	-	-	-	-	-	-	-	-	40	35	30	40	35	30	40	35	30			
1.5	EAV-211-A15..	32/6	E22...L.	3,5	on req.	2,5	7	on req.	on req.	7	on req.	on req.	6	5	4	4	3	2	6	5	4		
			E22...M.	5,5	5	5	28	26	24	28	26	24	18	16	14	12	10	8	15	13	12		
			E22...H.	-	-	8	-	-	-	-	-	-	25	20	18	17	13	10	20	18	16		
			E30...P.	12	10,5	8	35	32	28	28	25	20	32	28	22	28	25	21	30	28	26		
	EAV-213-A15..	32/6	E22...L.	-	-	2,5	-	-	-	-	-	-	-	7	5	4	4	3	2	6	5	4	
			E22...M.	-	-	5	-	-	-	-	-	-	-	-	18	16	14	12	10	8	16	14	13
			E22...H.	-	-	8	-	-	-	-	-	-	25	20	18	17	13	10	20	18	15		
			E30...P.	-	-	8	-	-	-	-	-	-	35	30	25	28	25	21	30	28	26		
	EAV-221-A15..	12,5/6	E22...L.	3,5	on req.	2,5	7	*	*	7	*	*	6	*	*	4	*	*	6	*	*		
			E22...M.	5,5	5	5	12,5	*	*	12,5	*	*	12,5	*	*	12	*	*	12,5	*	*		
			E22...H.	-	-	8	-	*	*	-	*	*	12,5	*	*	12,5	*	*	12,5	*	*		
			E30...P.	12	10,5	8	12,5	*	*	12,5	*	*	12,5	*	*	12,5	*	*	12,5	*	*		
1.8	EAV-211-A18..	32/6	E22...L.	3,5	on req.	2,5	6	on req.	on req.	6	on req.	on req.	5	4	3	3,5	2	1,5	5	4	3		
			E22...M.	5,5	5	5	20	19	18	20	18	17	12	10	8	8	7	6	12	10	9		
			E22...H.	-	-	8	-	-	-	-	-	-	19	17	14	13	10	8	16	14	10		
			E30...P.	12	10,5	8	30	25	22	20	18	16	24	22	18	23	21	18	25	23	22		
	EAV-213-A18..	25/5	E22...L.	-	-	2,5	-	-	-	-	-	-	5	4	3	3,5	2	1,5	5	4	3		
			E22...M.	-	-	5	-	-	-	-	-	-	12	10	8	8	7	6	12	10	9		
2	EAV-211-A20..	16/4	E22...L.	3,5	on req.	2,5	4	on req.	on req.	4	on req.	on req.	4	3	2,5	2,5	1,5	1,1	3	2,5	2		
			E22...M.	5,5	5	5	15	14	13	15	14	13	11	8	7	6	5	4,5	8	7	6		
			E22...H.	-	-	8	-	-	-	-	-	-	16	14	11	9	8	7	12	10	8		
			E30...P.	12	10,5	8	25	23	20	17	14	11	17	14	12	17	15	14	20	18	16		
	EAV-213-A20..	16/4	E22...L.	-	-	2,5	-	-	-	-	-	-	4	3	2,5	2,5	1,5	1	3	2,5	2		
			E22...M.	-	-	5	-	-	-	-	-	-	11	8	7	6	5	4,5	8	7	6		
EAV-221-A20..	12,5/4	E22...L.	3,5	on req.	2,5	4	*	*	4	*	*	4	*	*	2,5	*	*	3	*	*			
		E22...M.	5,5	5	5	12,5	*	*	12,5	*	*	11	*	*	6	*	*	8	*	*			
		E22...H.	-	-	8	-	*	*	-	*	*	12,5	*	*	9	*	*	12	*	*			
		E30...P.	12	10,5	8	12,5	*	*	12,5	*	*	12,5	*	*	12,5	*	*	12,5	*	*			
2.2	EAV-211-A22..	16/3	E22...L.	3,5	on req.	2,5	3,5	3	2,5	3,5	on req.	on req.	3	2,5	2	1,5	1	0,8	2,5	2	1		
			E22...M.	5,5	5	5	14	13	12	14	13	12	4	3,5	3	3	2,5	2	3,5	3	2,5		
			E22...H.	-	-	8	-	-	-	-	-	-	13	11	8	7	5	4	9	7,5	6		
			E30...P.	12	10,5	8	16	14	13	16	14	13	16	13	11	13	12	11	16	14	12		
	EAV-213-A22..	16/3	E22...L.	-	-	2,5	-	-	-	-	-	-	3	2,5	2	1,5	1	0,8	2	1,5	1		
			E22...M.	-	-	5	-	-	-	-	-	-	4	3,5	3	3	2,5	2	3,5	3	2,5		
3	EAV-211-A30..	10/2	E22...L.	3,5	on req.	2,5	2	on req.	on req.	2	on req.	on req.	2	1,5	1,2	1,2	0,8	0,6	2,1	1,5	0,8		
			E22...M.	5,5	5	5	8	7	6	8	7	6	3,5	3	2,8	2,5	2	1,5	3	2,5	2		
			E22...H.	-	-	8	-	-	-	-	-	-	9	7	6	5	4	3	6	5	4		
			E30...P.	12	10,5	8	12	9	7	11	8	7	11	9	7	9	7	6	10	9	8		
	EAV-213-A30..	10/2	E22...L.	-	-	2,5	-	-	-	-	-	-	2	1,5	1,2	1,2	0,9	0,7	1,8	1,4	0,8		
			E22...M.	-	-	5	-	-	-	-	-	-	3,5	3	2,8	2,5	2	1,5	3	2,5	2		
EAV-221-A30..	10/2	E22...L.	3,5	on req.	2,5	2	*	*	2	*	*	2	*	*	1,2	*	*	2	*	*			
		E22...M.	5,5	5	5	8	*	*	8	*	*	3,5	*	*	2,5	*	*	2,5	*	*			
		E22...H.	-	-	8	-	*	*	-	*	*	9	*	*	5	*	*	6	*	*			
		E30...P.	12	10,5	8	12	*	*	11	*	*	11	*	*	9	*	*	10	*	*			

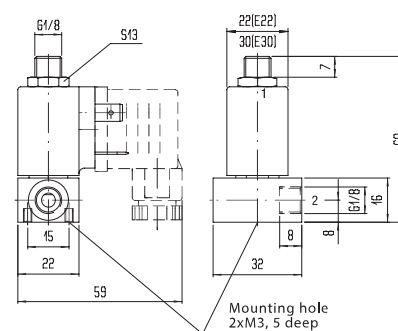
\* Solenoid valves with manual override can only be used at medium temperatures up to max. 60 °C.

**2/2-Way Solenoid Valve - Type EAV Series 200**
**Illustration**

Version	DN	Kv-value water [m³/h]	QnN-value air [l/min]	G	PN	Sealing material	Type	Order number	Price
without manual override for AC and DC not for L-coils  	1.2	0.05	48	M5	16	NBR	EAV-211-B12-M05B-00	605401	o. r.
	1.2	0.05	48	M5	16	FKM	EAV-211-B12-M05F-00	605402	o. r.
	1.2	0.05	48	G 1/8	16	NBR	EAV-211-B12-1/8B-00	605403	o. r.
	1.2	0.05	48	G 1/8	16	FKM	EAV-211-B12-1/8F-00	605404	o. r.
	1.5	0.06	65	M5	10	NBR	EAV-211-B15-M05B-00	605407	o. r.
	1.5	0.06	65	M5	10	FKM	EAV-211-B15-M05F-00	605408	o. r.
	1.5	0.06	65	G 1/8	10	NBR	EAV-211-B15-1/8B-00	605409	o. r.
	1.5	0.06	65	G 1/8	10	FKM	EAV-211-B15-1/8F-00	605410	o. r.
	1.8	0.1	110	M5	8	NBR	EAV-211-B18-M05B-00	605413	o. r.
	1.8	0.1	110	M5	8	FKM	EAV-211-B18-M05F-00	605414	o. r.
	1.8	0.1	110	G 1/8	8	NBR	EAV-211-B18-1/8B-00	605415	o. r.
	1.8	0.1	110	G 1/8	8	FKM	EAV-211-B18-1/8F-00	605416	o. r.
without manual override for DC not for L-coils  	1.2	0.05	48	M5	16	NBR	EAV-213-B12-M05B-00	605426	o. r.
	1.2	0.05	48	M5	16	FKM	EAV-213-B12-M05F-00	605427	o. r.
	1.2	0.05	48	G 1/8	16	NBR	EAV-213-B12-1/8B-00	605428	o. r.
	1.2	0.05	48	G 1/8	16	FKM	EAV-213-B12-1/8F-00	605429	o. r.
	1.5	0.06	65	M5	10	NBR	EAV-213-B15-M05B-00	605432	o. r.
	1.5	0.06	65	M5	10	FKM	EAV-213-B15-M05F-00	605433	o. r.
	1.5	0.06	65	G 1/8	10	NBR	EAV-213-B15-1/8B-00	605434	o. r.
	1.5	0.06	65	G 1/8	10	FKM	EAV-213-B15-1/8F-00	605435	o. r.
	1.8	0.1	110	M5	8	NBR	EAV-213-B18-M05B-00	605438	o. r.
	1.8	0.1	110	M5	8	FKM	EAV-213-B18-M05F-00	605439	o. r.
	1.8	0.1	110	G 1/8	8	NBR	EAV-213-B18-1/8B-00	605440	o. r.
	1.8	0.1	110	G 1/8	8	FKM	EAV-213-B18-1/8F-00	605441	o. r.



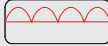
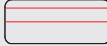
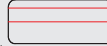


Version with M 5 Ports



Version with G 1/8 Ports

**Permitted Excess Operating Pressure OP for 2/2-Way Solenoid Valve - Type EAV Series 200**

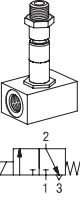
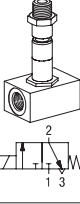
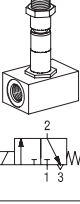
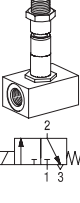
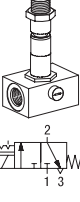
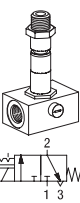
DN	Type	PN	Combinable solenoid coils			Permitted operating pressure [bar] at ambient temperature +60 °C																
			Type	Nominal power P <sub>20</sub>			AC 50 Hz  90 %U <sub>N</sub> Medium temperature			AC 60 Hz  90 %U <sub>N</sub> Medium temperature			DC  90 %U <sub>N</sub> Medium temperature			DC  90 %U <sub>N</sub> Medium temperature			DC  100 %U <sub>N</sub> Medium temperature			
				AC 50 Hz [VA]	AC 60 Hz [VA]	DC [W]	60 °C	90 °C	130 °C	60 °C	90 °C	130 °C	60 °C	90 °C	130 °C	60 °C	90 °C	130 °C	60 °C	90 °C	130 °C	
1.2	EAV-211-B12..	16	E22...M.	5.5	5	5	16	16	16	16	16	16	16	16	16	16	14	13	16	16	16	
			E22...H.	-	-	8	-	-	-	-	-	-	-	-	16	16	16	16	16	16	16	16
			E30...P.	12	10.5	8	16	16	16	16	16	16	16	16	16	16	16	16	16	16	16	16
	EAV-213-B12..	16	E22...M.	-	-	5	-	-	-	-	-	-	16	16	16	16	16	16	16	16	16	
			E22...H.	-	-	8	-	-	-	-	-	-	16	16	16	16	16	16	16	16	16	16
			E30...P.	-	-	8	-	-	-	-	-	-	16	16	16	16	16	16	16	16	16	16
1.5	EAV-211-B15..	10	E22...M.	5.5	5	5	10	10	10	10	10	10	10	10	10	10	9	10	10	10	10	
			E22...H.	-	-	8	-	-	-	-	-	-	10	10	10	10	10	10	10	10	10	10
			E30...P.	12	10.5	8	10	10	10	10	10	10	10	10	10	10	10	10	10	10	10	10
	EAV-213-B15..	10	E22...M.	-	-	5	-	-	-	-	-	-	10	10	10	10	10	9	10	10	10	
			E22...H.	-	-	8	-	-	-	-	-	-	10	10	10	10	10	10	10	10	10	10
			E30...P.	-	-	8	-	-	-	-	-	-	10	10	10	10	10	10	10	10	10	10
1.8	EAV-211-B18..	8	E22...M.	5.5	5	5	8	8	8	8	8	8	8	8	8	7	7	8	8	8	8	
			E22...H.	-	-	8	-	-	-	-	-	-	8	8	8	8	8	8	8	8	8	8
			E30...P.	12	10.5	8	8	8	8	8	8	8	8	8	8	8	8	8	8	8	8	8
	EAV-213-B18..	8	E22...M.	-	-	5	-	-	-	-	-	-	8	8	8	7	7	8	8	8	8	
			E22...H.	-	-	8	-	-	-	-	-	-	8	8	8	8	8	8	8	8	8	8
			E30...P.	-	-	8	-	-	-	-	-	-	8	8	8	8	8	8	8	8	8	8

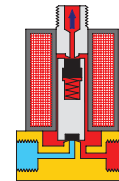
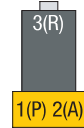
**3/2-Way Solenoid Valve - Type EAV Series 200**
**Illustration**

 Price group **51**

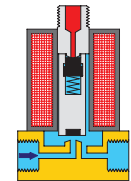
"C" in 0-position "1" closed, "2" after "3" discharged

**Brass**

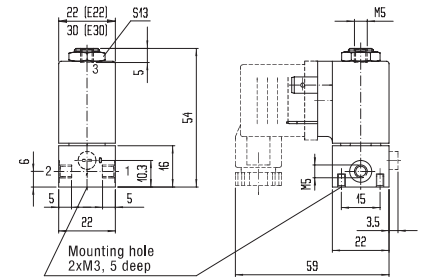
Version	DN	Kv-value Water [m <sup>3</sup> /h]	Qn-value air [l/min]	G	PN	Sealing material	Type	Order number	Price
without manual override for AC and DC not for L-coils 	1.2	1 > 2 0.05	1 > 2 50	M 5	12.5	NBR	EAV-211-C12-M05B-00	606001	o. r.
				M 5	12.5	FKM	EAV-211-C12-M05F-00	606002	o. r.
		2 > 3 0.06	2 > 3 65	G 1/8	12.5	NBR	EAV-211-C12-1/8B-00	606003	o. r.
				G 1/8	12.5	FKM	EAV-211-C12-1/8F-00	606004	o. r.
	1.5	1 > 2 0.06	1 > 2 68	M 5	10	NBR	EAV-211-C15-M05B-00	606007	o. r.
				M 5	10	FKM	EAV-211-C15-M05F-00	606008	o. r.
2 > 3 0.10	2 > 3 115	2 > 3 115	G 1/8	10	NBR	EAV-211-C15-1/8B-00	606009	o. r.	
			G 1/8	10	FKM	EAV-211-C15-1/8F-00	606010	o. r.	
without manual override for all AC and DC coils 	1.2	1 > 2 0.05	1 > 2 50	M 5	10	NBR	EAV-215-C12-M05B-00	606051	o. r.
				M 5	10	FKM	EAV-215-C12-M05F-00	606052	o. r.
		2 > 3 0.06	2 > 3 65	G 1/8	10	NBR	EAV-215-C12-1/8B-00	606053	o. r.
				G 1/8	10	FKM	EAV-215-C12-1/8F-00	606054	o. r.
	1.5	1 > 2 0.06	1 > 2 68	M 5	8	NBR	EAV-215-C15-M05B-00	606057	o. r.
				M 5	8	FKM	EAV-215-C15-M05F-00	606058	o. r.
2 > 3 0.10	2 > 3 115	2 > 3 115	G 1/8	8	NBR	EAV-215-C15-1/8B-00	606059	o. r.	
			G 1/8	8	FKM	EAV-215-C15-1/8F-00	606060	o. r.	
without manual override for DC not for L-coils 	1.2	1 > 2 0.05	1 > 2 50	M 5	12.5	NBR	EAV-213-C12-M05B-00	606026	o. r.
				M 5	12.5	FKM	EAV-213-C12-M05F-00	606027	o. r.
		2 > 3 0.06	2 > 3 65	G 1/8	12.5	NBR	EAV-213-C12-1/8B-00	606028	o. r.
				G 1/8	12.5	FKM	EAV-213-C12-1/8F-00	606029	o. r.
	1.5	1 > 2 0.06	1 > 2 68	M 5	10	NBR	EAV-213-C15-M05B-00	606032	o. r.
				M 5	10	FKM	EAV-213-C15-M05F-00	606033	o. r.
2 > 3 0.10	2 > 3 115	2 > 3 115	G 1/8	10	NBR	EAV-213-C15-1/8B-00	606034	o. r.	
			G 1/8	10	FKM	EAV-213-C15-1/8F-00	606035	o. r.	
without manual override for all DC coils 	1.2	1 > 2 0.05	1 > 2 50	M 5	10	NBR	EAV-217-C12-M05B-00	606076	o. r.
				M 5	10	FKM	EAV-217-C12-M05F-00	606077	o. r.
		2 > 3 0.06	2 > 3 65	G 1/8	10	NBR	EAV-217-C12-1/8B-00	606078	o. r.
				G 1/8	10	FKM	EAV-217-C12-1/8F-00	606079	o. r.
	1.5	1 > 2 0.06	1 > 2 68	M 5	10	NBR	EAV-217-C15-M05B-00	606082	o. r.
				M 5	8	FKM	EAV-217-C15-M05F-00	606083	o. r.
2 > 3 0.10	2 > 3 115	2 > 3 115	G 1/8	8	NBR	EAV-217-C15-1/8B-00	606084	o. r.	
			G 1/8	8	FKM	EAV-217-C15-1/8F-00	606085	o. r.	
with manual override for AC and DC not for L-coils 	1.2	1 > 2 0.05	1 > 2 50	M 5	12.5	NBR	EAV-221-C12-M05B-00	606151	o. r.
				M 5	12.5	FKM	EAV-221-C12-M05F-00	606152	o. r.
		2 > 3 0.06	2 > 3 65	G 1/8	12.5	NBR	EAV-221-C12-1/8B-00	606153	o. r.
				G 1/8	12.5	FKM	EAV-221-C12-1/8F-00	606154	o. r.
	1.5	1 > 2 0.06	1 > 2 68	M 5	10	NBR	EAV-221-C15-M05B-00	606157	o. r.
				M 5	10	FKM	EAV-221-C15-M05F-00	606158	o. r.
2 > 3 0.10	2 > 3 115	2 > 3 115	G 1/8	10	NBR	EAV-221-C15-1/8B-00	606159	o. r.	
			G 1/8	10	FKM	EAV-221-C15-1/8F-00	606160	o. r.	
with manual override for all AC and DC coils 	1.2	1 > 2 0.05	1 > 2 50	M 5	10	NBR	EAV-225-C12-M05B-00	606201	o. r.
				M 5	10	FKM	EAV-225-C12-M05F-00	606202	o. r.
		2 > 3 0.06	2 > 3 65	G 1/8	10	NBR	EAV-225-C12-1/8B-00	606203	o. r.
				G 1/8	10	FKM	EAV-225-C12-1/8F-00	606204	o. r.
	1.5	1 > 2 0.06	1 > 2 68	M 5	8	NBR	EAV-225-C15-M05B-00	606207	o. r.
				M 5	8	FKM	EAV-225-C15-M05F-00	606208	o. r.
2 > 3 0.10	2 > 3 115	2 > 3 115	G 1/8	8	NBR	EAV-225-C15-1/8B-00	606209	o. r.	
			G 1/8	8	FKM	EAV-225-C15-1/8F-00	606210	o. r.	



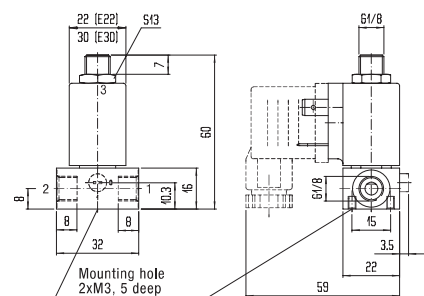
Normal position



Operational position



Version with M5 Ports



Version with G 1/8 Ports



**Permitted Operating Pressure for 3/2-Way Solenoid Valve - Type EAV Series 200**

"C" in 0-position "1" closed, "2" after "3" discharged

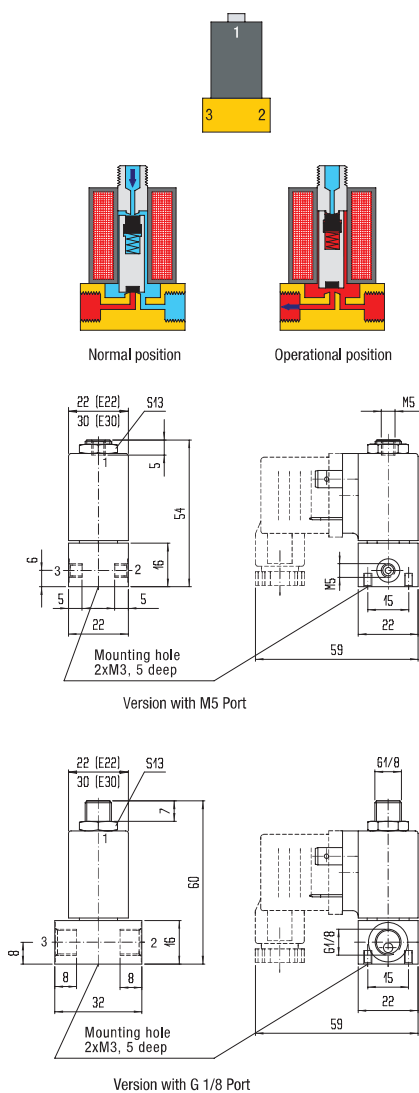
DN	Type	PN	Combinable solenoid coils			Permitted operating pressure [bar] at ambient temperature +60 °C																		
			Type	Nominal power P <sub>20</sub>			AC 50 Hz  90 %U <sub>N</sub> Medium temperature			AC 60 Hz  90 %U <sub>N</sub> Medium temperature			DC  90 %U <sub>N</sub> Medium temperature			DC  90 %U <sub>N</sub> Medium temperature			DC  100 %U <sub>N</sub> Medium temperature					
				AC 50 Hz [VA]	AC 60 Hz [VA]	DC [W]	60 °C	90 °C	130 °C	60 °C	90 °C	130 °C	60 °C	90 °C	130 °C	60 °C	90 °C	130 °C	60 °C	90 °C	130 °C			
1.2	EAV-211-C12..	12.5	E22...M.	5.5	5	5	12.5	12.5	12.5	12.5	12.5	12.5	12.5	12.5	12.5	12.5	12.5	12.5	12.5	12.5	12.5	12.5		
			E22...H.	-	-	8	-	-	-	-	-	-	-	-	-	-	-	-	-	-	-	-	-	-
			E30...P.	12	10.5	8	12.5	12.5	12.5	12.5	12.5	12.5	12.5	12.5	12.5	12.5	12.5	12.5	12.5	12.5	12.5	12.5	12.5	12.5
	EAV-215-C12..	10	E22...L.	3.5	on req.	2.5	10	-	-	10	-	-	10	10**	10**	10**	10**	10**	10	10**	10**	10	10	
			E22...M.	5.5	5	5	10	10	10	10	10	10	10	10	10	10	10	10	10	10	10	10	10	10
			E22...H.	-	-	8	-	-	-	-	-	-	-	-	-	-	-	-	-	-	-	-	-	-
	EAV-213-C12..	12.5	E22...M.	-	-	5	-	-	-	-	-	-	-	-	-	-	-	-	-	-	-	-	-	
			E22...H.	-	-	8	-	-	-	-	-	-	-	-	-	-	-	-	-	-	-	-	-	
			E30...P.	-	-	8	-	-	-	-	-	-	-	-	-	-	-	-	-	-	-	-	-	
	EAV-217-C12..	10	E22...L.	-	-	2.5	-	-	-	-	-	-	-	-	-	-	-	-	-	-	-	-	-	
			E22...M.	-	-	5	-	-	-	-	-	-	-	-	-	-	-	-	-	-	-	-	-	
			E22...H.	-	-	8	-	-	-	-	-	-	-	-	-	-	-	-	-	-	-	-	-	
	EAV-221-C12..	12.5	E22...M.	5.5	5	5	12.5	*	*	12.5	*	*	12.5	*	*	12.5	*	*	12.5	*	*	12.5	*	*
			E22...H.	-	-	8	-	-	-	-	-	-	-	-	-	-	-	-	-	-	-	-	-	
			E30...P.	12	10.5	8	12.5	*	*	12.5	*	*	12.5	*	*	12.5	*	*	12.5	*	*	12.5	*	*
	EAV-225-C12..	10	E22...L.	3.5	on req.	2.5	10	-	-	10	-	-	10	*	*	10**	*	*	10	*	*	10	*	*
			E22...M.	5.5	5	5	10	*	*	10	*	*	10	*	*	10	*	*	10	*	*	10	*	*
			E22...H.	-	-	8	-	-	-	-	-	-	-	-	-	-	-	-	-	-	-	-	-	
	EAV-211-C15..	10	E22...M.	5.5	5	5	10	10	10	10	10	10	10	10	10	10	10	10	10	10	10	10	10	
			E22...H.	-	-	8	-	-	-	-	-	-	-	-	-	-	-	-	-	-	-	-	-	
			E30...P.	12	10.5	8	10	10	10	10	10	10	10	10	10	10	10	10	10	10	10	10	10	
	EAV-215-C15..	8	E22...L.	3.5	on req.	2.5	8	8	-	-	-	-	8	8	8**	8	8**	8**	8	8**	8**	8	8**	8**
			E22...M.	5.5	5	5	8	8	8	8	8	8	8	8	8	8	8	8	8	8	8	8	8	
			E22...H.	-	-	8	-	-	-	-	-	-	-	-	-	-	-	-	-	-	-	-	-	
EAV-213-C15..	10	E22...M.	-	-	5	-	-	-	-	-	-	10	10	10	10	10	10	10	10	10	10	10		
		E22...H.	-	-	8	-	-	-	-	-	-	-	10	10	10	10	10	10	10	10	10	10		
		E30...P.	-	-	8	-	-	-	-	-	-	-	10	10	10	10	10	10	10	10	10	10		
EAV-217-C15..	8	E22...L.	-	-	2.5	-	-	-	-	-	-	8	8**	8**	8**	8**	8**	8	8**	8**	8	8**	8**	
		E22...M.	-	-	5	-	-	-	-	-	-	8	8	8	8	8	8	8	8	8	8	8		
		E22...H.	-	-	8	-	-	-	-	-	-	8	8	8	8	8	8	8	8	8	8	8		
EAV-221-C15..	10	E22...M.	5.5	5	5	10	*	*	10	*	*	10	*	*	10	*	*	10	*	*	10	*	*	
		E22...H.	-	-	8	-	-	-	-	-	-	-	10	*	*	10	*	*	10	*	*	10	*	*
		E30...P.	12	10.5	8	10	*	*	10	*	*	10	*	*	10	*	*	10	*	*	10	*	*	
EAV-225-C15..	8	E22...L.	3.5	on req.	2.5	8	*	*	-	*	*	8	*	*	8	*	*	8	*	*	8	*	*	
		E22...M.	5.5	5	5	8	*	*	8	*	*	8	*	*	8	*	*	8	*	*	8	*	*	
		E22...H.	-	-	8	-	-	-	-	-	-	-	8	*	*	8	*	*	8	*	*	8	*	*
EAV-211-C18..	8	E22...M.	5.5	5	5	8	8	8	8	8	8	8	8	8	8	8	8	8	8	8	8	8		
		E22...H.	-	-	8	-	-	-	-	-	-	-	8	8	8	8	8	8	8	8	8	8		
		E30...P.	12	10.5	8	8	8	8	8	8	8	8	8	8	8	8	8	8	8	8	8	8		
EAV-213-C18..	10	E22...M.	-	-	5	-	-	-	-	-	-	8	8	8	8	8	8	8	8	8	8			
		E22...H.	-	-	8	-	-	-	-	-	-	-	8	8	8	8	8	8	8	8	8			
		E30...P.	-	-	8	-	-	-	-	-	-	-	8	8	8	8	8	8	8	8	8			
EAV-221-C18..	10	E22...M.	5.5	5	5	8	*	*	8	*	*	8	*	*	8	*	*	8	*	*	8	*	*	
		E22...H.	-	-	8	-	-	-	-	-	-	-	8	*	*	8	*	*	8	*	*	8	*	*
		E30...P.	12	10.5	8	8	*	*	8	*	*	8	*	*	8	*	*	8	*	*	8	*	*	

\* Solenoid valves with manual override can only be used at medium temperatures up to max. 60 °C. \*\* Minimum pressure of 2 bar required

**3/2-Way Solenoid Valve Type EAV Series 200**

Price group <b>51</b>	Switching mode "D" in 0 position "1" to "2" open, "3" closed	Permitted operating pressure Table below	<b>Brass</b>
-----------------------	--	--	--------------

Version	DN	Kv-value water [m³/h]	Qn-value air [l/min]	G	PN	Sealing material	Type	Order number	Price
without manual override for AC and DC not for L-coils	1.2	1 > 2 0.05	1 > 2 48	M5	16	NBR	EAV-211-D12-M05B-00	606301	o. r.
				M5	16	FKM	EAV-211-D12-M05F-00	606302	o. r.
		2 > 3 0.06	2 > 3 68	G 1/8	16	NBR	EAV-211-D12-1/8B-00	606303	o. r.
				G 1/8	16	FKM	EAV-211-D12-1/8F-00	606304	o. r.
	1.5	1 > 2 0.06	1 > 2 68	M5	10	NBR	EAV-211-D15-M05B-00	606307	o. r.
				M5	10	FKM	EAV-211-D15-M05F-00	606308	o. r.
		2 > 3 0.11	2 > 3 125	G 1/8	10	NBR	EAV-211-D15-1/8B-00	606309	o. r.
				G 1/8	10	FKM	EAV-211-D15-1/8F-00	606310	o. r.
	1.8	1 > 2 0.10	1 > 2 115	M5	8	NBR	EAV-211-D18-M05B-00	606313	o. r.
				M5	8	FKM	EAV-211-D18-M05F-00	606314	o. r.
		2 > 3 0.11	2 > 3 125	G 1/8	8	NBR	EAV-211-D18-1/8B-00	606315	o. r.
				G 1/8	8	FKM	EAV-211-D18-1/8F-00	606316	o. r.
without manual override for DC not for L-coils	1.2	1 > 2 0.05	1 > 2 48	M5	16	NBR	EAV-213-D12-M05B-00	606326	o. r.
				M5	16	FKM	EAV-213-D12-M05F-00	606327	o. r.
		2 > 3 0.06	2 > 3 68	G 1/8	16	NBR	EAV-213-D12-1/8B-00	606328	o. r.
				G 1/8	16	FKM	EAV-213-D12-1/8F-00	606329	o. r.
	1.5	1 > 2 0.06	1 > 2 68	M5	10	NBR	EAV-213-D15-M05B-00	606332	o. r.
				M5	10	FKM	EAV-213-D15-M05F-00	606333	o. r.
		2 > 3 0.11	2 > 3 125	G 1/8	10	NBR	EAV-213-D15-1/8B-00	606334	o. r.
				G 1/8	10	FKM	EAV-213-D15-1/8F-00	606335	o. r.
	1.8	1 > 2 0.10	1 > 2 115	M5	8	NBR	EAV-213-D18-M05B-00	606338	o. r.
				M5	8	FKM	EAV-213-D18-M05F-00	606339	o. r.
		2 > 3 0.11	2 > 3 125	G 1/8	8	NBR	EAV-213-D18-1/8B-00	606340	o. r.
				G 1/8	8	FKM	EAV-213-D18-1/8F-00	606341	o. r.

**Illustration**

**Permitted Excess Operating Pressure OP for 3/2-Way Solenoid Valve - Type EAV Series 200**

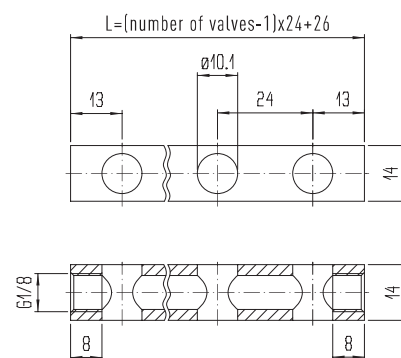
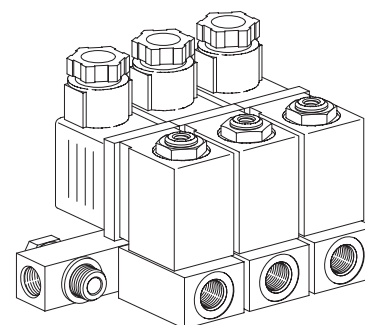
DN	Type	PN	Combinable solenoid coils			Permitted excess operating pressure OP [bar] at ambient temperature +60 °C															
			Type	Nominal power P <sub>20</sub>			AC 50 Hz  90 %U <sub>N</sub> Medium temperature			AC 60 Hz  90 %U <sub>N</sub> Medium temperature			DC  90 %U <sub>N</sub> Medium temperature			DC  90 %U <sub>N</sub> Medium temperature			DC  100 %U <sub>N</sub> Medium temperature		
				AC 50 Hz [VA]	AC 60 Hz [VA]	DC [W]	60 °C	90 °C	130 °C	60 °C	90 °C	130 °C	60 °C	90 °C	130 °C	60 °C	90 °C	130 °C	60 °C	90 °C	130 °C
1.2	EAV-211-D12..	16	E22...M.	5.5	5	5	16	16	16	16	16	16	16	16	16	14	13	16	16	16	
			E22...H.	-	-	8	-	-	-	-	-	-	16	16	16	16	16	16	16	16	16
			E30...P.	12	10.5	8	16	16	16	16	16	16	16	16	16	16	16	16	16	16	16
	EAV-213-D12..	16	E22...M.	-	-	5	-	-	-	-	-	16	16	16	16	16	16	16	16	16	
			E22...H.	-	-	8	-	-	-	-	-	16	16	16	16	16	16	16	16	16	
			E30...P.	-	-	8	-	-	-	-	-	16	16	16	16	16	16	16	16	16	
1.5	EAV-211-D15..	10	E22...M.	5.5	5	5	10	10	10	10	10	10	10	10	10	9	10	10	10		
			E22...H.	-	-	8	-	-	-	-	-	10	10	10	10	10	10	10	10		
			E30...P.	12	10.5	8	10	10	10	10	10	10	10	10	10	10	10	10	10		
	EAV-213-D15..	10	E22...M.	-	-	5	-	-	-	-	-	10	10	10	10	10	9	10	10		
			E22...H.	-	-	8	-	-	-	-	-	10	10	10	10	10	10	10	10		
			E30...P.	-	-	8	-	-	-	-	-	10	10	10	10	10	10	10	10		
1.8	EAV-211-D18..	8	E22...M.	5.5	5	5	8	8	8	8	8	8	8	8	7	7	8	8	8		
			E22...H.	-	-	8	-	-	-	-	-	8	8	8	8	8	8	8	8		
			E30...P.	12	10.5	8	8	8	8	8	8	8	8	8	8	8	8	8	8		
	EAV-213-D18..	8	E22...M.	-	-	5	-	-	-	-	-	8	8	8	7	7	8	8	8		
			E22...H.	-	-	8	-	-	-	-	-	8	8	8	8	8	8	8	8		
			E30...P.	-	-	8	-	-	-	-	-	8	8	8	8	8	8	8	8		



**Power Bar Type ZAV Series 100 to Solenoid Valve EAV Series 200**

 Price group **51**
**Brass**

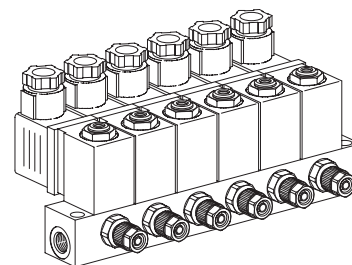
Manifold version	G	Type	order number	Price
2-fold	G 1/8	ZAV-100/02-1/8	500192	o. r.
3-fold	G 1/8	ZAV-100/03-1/8	500193	o. r.
4-fold	G 1/8	ZAV-100/04-1/8	500194	o. r.
5-fold	G 1/8	ZAV-100/05-1/8	500195	o. r.
6-fold	G 1/8	ZAV-100/06-1/8	500196	o. r.
7-fold	G 1/8	ZAV-100/07-1/8	500197	o. r.
8-fold	G 1/8	ZAV-100/08-1/8	500198	o. r.
9-fold	G 1/8	ZAV-100/09-1/8	500199	o. r.
10-fold	G 1/8	ZAV-100/10-1/8	500200	o. r.
11-fold	G 1/8	ZAV-100/11-1/8	500201	o. r.
12-fold	G 1/8	ZAV-100/12-1/8	500202	o. r.
single banjo bolt, short	G 1/8	163M-11-1/8N	304026	o. r.
Plug	G 1/8	261M-1/8	251403	o. r.
Plastic sealing ring		266N-1/8x1.5	252921	o. r.

**Illustration**

**Example**


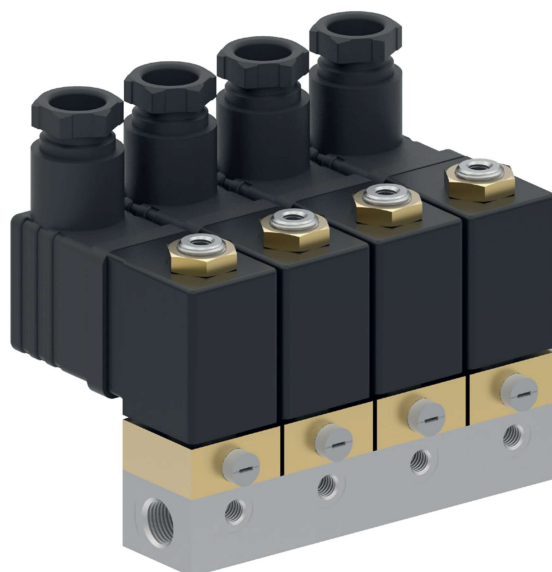
Solenoid valve battery EAV

**Special Solenoid Valves**

AVS Römer also manufactures special versions according to customer requirements, e.g. multiple solenoid valves

**Illustration**




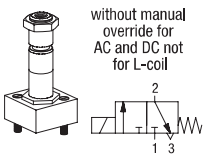
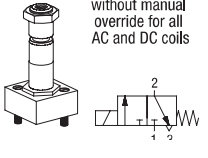
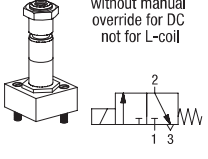
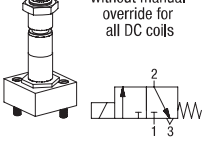
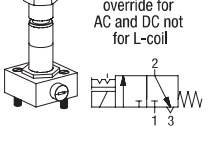
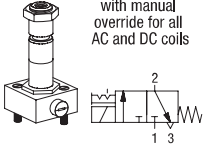
**DIGMA Solenoid Valves Type EAV Series 300**

**FEATURES**
**GENERAL**

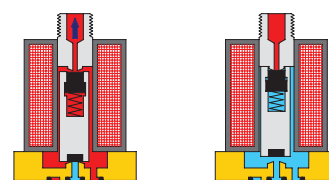
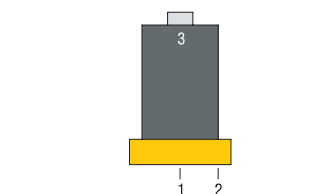
<b>Constructional design</b>	Seat valve, rubber seals
<b>Product name</b>	3/2-way flange solenoid valve
<b>Actuation</b>	electrical, direct-acting
<b>Product type</b>	EAV-3..-C..
<b>Function</b>	"C" in 0 position "1" closed, "2" after "3" discharged (closing against flow)
<b>Nominal diameter</b>	DN 1.2 to DN 1.8
<b>Connections</b>	Flange according to factory standard
<b>Ambient temperature</b>	-20 °C to +60 °C (others on request)
<b>Medium temperature</b>	for NBR: -10 °C to +90 °C for FKM: -10 °C to +130 °C (for restrictions see table)
<b>Medium viscosity</b>	up to approx. 20 mm <sup>2</sup> /s
<b>Valve body material</b>	Brass
<b>Manual material</b>	PPE (Polyphenylene ether)
<b>Seat nozzle material</b>	Stainless steel
<b>Other internal components material</b>	Stainless steel and non-ferrous metal. DC version with FKM seal non-ferrous metal-free
<b>Sealing material</b>	NBR (nitrile rubber) or FKM (fluoride rubber) (others on request)
<b>Mounting method</b>	by 2 through bores in the valve body
<b>Mounting position</b>	optional, preferably upright
<b>PNEUMATIC - HYDRAULIC</b>	
<b>Nominal pressure</b>	according to type table. The numerical value of the nominal pressure PN signifies the permitted excess operating pressure PB in bar at 60 °C ambient temperature and 60 °C medium temperature.
<b>Pressure range</b>	technical vacuum up to permitted operating pressure PB. For exceptions which refer to minimum permitted operating pressure see table.
<b>Flow rate</b>	Kv-value and QNn-value according to type table
<b>Medium</b>	gaseous or liquid media sealing material NBR: e.g. compressed air, water, hydraulic fluids, neutral gases sealing material FKM: e.g. solvents, hot water, hot air
<b>Response time</b>	Opening time: 7 - 20 ms, closing time: 12 - 20 ms
<b>Electric</b>	see under solenoid coils

**3/2-Way Solenoid Valve - Type EAV Series 300**
**Illustration**

 Price group **51** "C" in 0-position "1" closed, "2" after "3" discharged

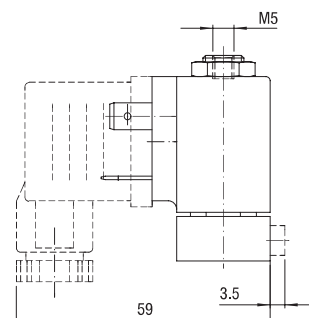
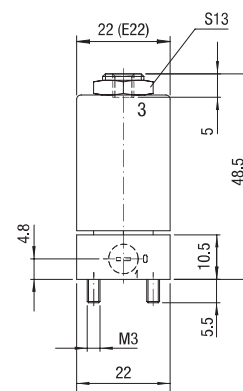
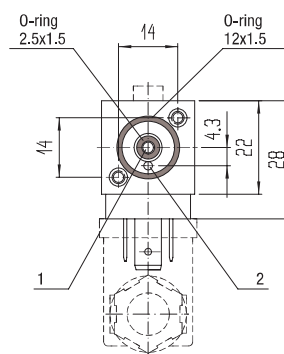
**Brass**

Version	DN	Kv-value water [m³/h]	QnN-value air [l/min]	PN	Sealing material	Type	Order number	Price	
 <p>without manual override for AC and DC not for L-coil</p>	1.2	1 > 2 0.05	1 > 2 50	12.5	NBR	EAV-311-C12-FL1B-00	609201	o. r.	
		2 > 3 0.06	2 > 3 65	12.5	FKM	EAV-311-C12-FL1F-00	609202	o. r.	
	1.5	1 > 2 0.06	1 > 2 68	10	NBR	EAV-311-C15-FL1B-00	609203	o. r.	
		2 > 3 0.10	2 > 3 115	10	FKM	EAV-311-C15-FL1F-00	609204	o. r.	
	1.8	1 > 2 0.11	1 > 2 120	8	NBR	EAV-311-C18-FL1B-00	609205	o. r.	
		2 > 3 0.10	2 > 3 115	8	FKM	EAV-311-C18-FL1F-00	609206	o. r.	
 <p>without manual override for all AC and DC coils</p>	1.2	1 > 2 0.05	1 > 2 50	10	NBR	EAV-315-C12-FL1B-00	609217	o. r.	
		2 > 3 0.05	2 > 3 50	10	FKM	EAV-315-C12-FL1F-00	609218	o. r.	
	1.5	1 > 2 0.06	1 > 2 68	8	NBR	EAV-315-C15-FL1B-00	609219	o. r.	
		2 > 3 0.06	2 > 3 68	8	FKM	EAV-315-C15-FL1F-00	609220	o. r.	
	 <p>without manual override for DC not for L-coil</p>	1.2	1 > 2 0.05	1 > 2 50	12.5	NBR	EAV-313-C12-FL1B-00	609209	o. r.
			2 > 3 0.06	2 > 3 65	12.5	FKM	EAV-313-C12-FL1F-00	609210	o. r.
1.5		1 > 2 0.06	1 > 2 68	10	NBR	EAV-313-C15-FL1B-00	609211	o. r.	
		2 > 3 0.10	2 > 3 115	10	FKM	EAV-313-C15-FL1F-00	609212	o. r.	
1.8	1 > 2 0.11	1 > 2 120	8	NBR	EAV-313-C18-FL1B-00	609213	o. r.		
	2 > 3 0.10	2 > 3 115	8	FKM	EAV-313-C18-FL1F-00	609214	o. r.		
 <p>without manual override for DC coils</p>	1.2	1 > 2 0.05	1 > 2 50	10	NBR	EAV-317-C12-FL1B-00	609225	o. r.	
		2 > 3 0.05	2 > 3 50	10	FKM	EAV-317-C12-FL1F-00	609226	o. r.	
	1.5	1 > 2 0.06	1 > 2 68	8	NBR	EAV-317-C15-FL1B-00	609227	o. r.	
		2 > 3 0.06	2 > 3 68	8	FKM	EAV-317-C15-FL1F-00	609228	o. r.	
	 <p>with manual override for AC and DC not for L-coil</p>	1.2	1 > 2 0.05	1 > 2 50	12.5	NBR	EAV-321-C12-FL1B-00	609251	o. r.
			2 > 3 0.06	2 > 3 65	12.5	FKM	EAV-321-C12-FL1F-00	609252	o. r.
1.5		1 > 2 0.06	1 > 2 68	10	NBR	EAV-321-C15-FL1B-00	609253	o. r.	
		2 > 3 0.10	2 > 3 115	10	FKM	EAV-321-C15-FL1F-00	609254	o. r.	
1.8	1 > 2 0.11	1 > 2 120	8	NBR	EAV-321-C18-FL1B-00	609255	o. r.		
	2 > 3 0.10	2 > 3 115	8	FKM	EAV-321-C18-FL1F-00	609256	o. r.		
 <p>with manual override for all AC and DC coils</p>	1.2	1 > 2 0.05	1 > 2 50	10	NBR	EAV-325-C12-FL1B-00	609267	o. r.	
		2 > 3 0.05	2 > 3 50	10	FKM	EAV-325-C12-FL1F-00	609268	o. r.	
	1.5	1 > 2 0.06	1 > 2 68	8	NBR	EAV-325-C15-FL1B-00	609269	o. r.	
		2 > 3 0.06	2 > 3 68	8	FKM	EAV-325-C15-FL1F-00	609270	o. r.	



Normal position

Operational position



**Permitted Operating Pressure for 3/2-way Flange Solenoid Valve - Type EAV Series 300**

 "C" in 0-position "1" closed,  
 "2" after "3" discharged

DN	Type	PN	Combined solenoid coils			Permitted operating pressure [bar] at ambient temperature +60 °C																	
			Type	Nominal power P <sub>20</sub>			AC 50 Hz  90 %U <sub>N</sub> Medium temperature			AC 60 Hz  90 %U <sub>N</sub> Medium temperature			DC  90 %U <sub>N</sub> Medium temperature			DC  90 %U <sub>N</sub> Medium temperature			DC  100 %U <sub>N</sub> Medium temperature				
				AC 50 Hz [VA]	AC 60 Hz [VA]	DC [W]	60°C	90°C	130°C	60°C	90°C	130°C	60°C	90°C	130°C	60°C	90°C	130°C	60°C	90°C	130°C		
1.2	EAV-311-C12..	12.5	E22...M.	5.5	5	5	12.5	12.5	12.5	12.5	12.5	12.5	12.5	12.5	12.5	12.5	12.5	12.5	12.5	12.5	12.5	12.5	
			E22...H.	-	-	8	-	-	-	-	-	-	-	-	-	-	-	-	-	-	-	-	-
			E30...P.	12	10.5	8	12.5	12.5	12.5	12.5	12.5	12.5	12.5	12.5	12.5	12.5	12.5	12.5	12.5	12.5	12.5	12.5	12.5
	EAV-315-C12..	10	E22...L.	3.5	on req.	2.5	10	-	-	10	-	-	10	10**	10**	10**	10**	10**	10	10**	10**	10	
			E22...M.	5.5	5	5	10	10	10	10	10	10	10	10	10	10	10	10	10	10	10	10	
			E22...H.	-	-	8	-	-	-	-	-	-	-	-	-	-	-	-	-	-	-	-	
	EAV-313-C12..	12.5	E22...M.	-	-	5	-	-	-	-	-	-	-	-	-	12.5	12.5	12.5	12.5	12.5	12.5	12.5	
			E22...H.	-	-	8	-	-	-	-	-	-	-	-	-	-	12.5	12.5	12.5	12.5	12.5	12.5	
			E30...P.	-	-	8	-	-	-	-	-	-	-	-	-	-	12.5	12.5	12.5	12.5	12.5	12.5	
	EAV-317-C12..	10	E22...L.	-	-	2.5	-	-	-	-	-	-	-	-	10	10**	10**	10**	10**	10**	10	10**	
			E22...M.	-	-	5	-	-	-	-	-	-	-	-	-	10	10	10	10	10	10	10	
			E22...H.	-	-	8	-	-	-	-	-	-	-	-	-	10	10	10	10	10	10	10	
	EAV-321-C12..	12.5	E22...M.	5.5	5	5	12.5	*	*	12.5	*	*	12.5	*	*	12.5	*	*	12.5	*	*	12.5	
			E22...H.	-	-	8	-	-	-	-	-	-	-	-	-	12.5	*	*	12.5	*	*	12.5	
			E30...P.	12	10.5	8	12.5	*	*	12.5	*	*	12.5	*	*	12.5	*	*	12.5	*	*	12.5	
	EAV-325-C12..	10	E22...L.	3.5	on req.	2.5	10	-	-	10	-	-	10	*	*	10**	*	*	10	*	*	10	
			E22...M.	5.5	5	5	10	*	*	10	*	*	10	*	*	10	*	*	10	*	*	10	
			E22...H.	-	-	8	-	-	-	-	-	-	-	-	-	10	*	*	10	*	*	10	
	1.5	EAV-311-C15..	10	E22...M.	5.5	5	5	10	10	10	10	10	10	10	10	10	10	10	10	10	10	10	
				E22...H.	-	-	8	-	-	-	-	-	-	-	-	-	10	10	10	10	10	10	10
				E30...P.	12	10.5	8	10	10	10	10	10	10	10	10	10	10	10	10	10	10	10	10
		EAV-315-C15..	8	E22...L.	3.5	on req.	2.5	8	8	-	-	-	-	8	8	8**	8	8**	8**	8	8**	8**	8
				E22...M.	5.5	5	5	8	8	8	8	8	8	8	8	8	8	8	8	8	8	8	8
				E22...H.	-	-	8	-	-	-	-	-	-	-	-	-	8	8	8	8	8	8	8
EAV-313-C15..		10	E22...M.	-	-	5	-	-	-	-	-	-	-	-	10	10	10	10	10	10	10		
			E22...H.	-	-	8	-	-	-	-	-	-	-	-	-	10	10	10	10	10	10		
			E30...P.	-	-	8	-	-	-	-	-	-	-	-	-	10	10	10	10	10	10		
EAV-317-C15..		8	E22...L.	-	-	2.5	-	-	-	-	-	-	-	-	8	8**	8**	8**	8**	8**	8		
			E22...M.	-	-	5	-	-	-	-	-	-	-	-	-	8	8	8	8	8	8		
			E22...H.	-	-	8	-	-	-	-	-	-	-	-	-	8	8	8	8	8	8		
EAV-321-C15..		10	E22...M.	5.5	5	5	10	*	*	10	*	*	10	*	*	10	*	*	10	*	*	10	
			E22...H.	-	-	8	-	-	-	-	-	-	-	-	-	10	*	*	10	*	*	10	
			E30...P.	12	10.5	8	10	*	*	10	*	*	10	*	*	10	*	*	10	*	*	10	
EAV-325-C15..		8	E22...L.	3.5	on req.	2.5	8	*	*	-	-	-	8	*	*	8	*	*	8	*	*	8	
			E22...M.	5.5	5	5	8	*	*	8	*	*	8	*	*	8	*	*	8	*	*	8	
			E22...H.	-	-	8	-	-	-	-	-	-	-	-	-	8	*	*	8	*	*	8	
1.8		EAV-311-C18..	8	E22...M.	5.5	5	5	8	8	8	8	8	8	8	8	8	8	8	8	8	8	8	
				E22...H.	-	-	8	-	-	-	-	-	-	-	-	-	8	8	8	8	8	8	
				E30...P.	12	10.5	8	8	8	8	8	8	8	8	8	8	8	8	8	8	8	8	
		EAV-313-C18..	8	E22...M.	-	-	5	-	-	-	-	-	-	-	-	8	8	8	8	8	8	8	
				E22...H.	-	-	8	-	-	-	-	-	-	-	-	-	8	8	8	8	8	8	
				E30...P.	-	-	8	-	-	-	-	-	-	-	-	-	8	8	8	8	8	8	
	EAV-321-C18..	8	E22...M.	5.5	5	5	8	*	*	8	*	*	8	*	*	8	*	*	8	*	*		
			E22...H.	-	-	8	-	-	-	-	-	-	-	-	-	8	*	*	8	*	*		
			E30...P.	12	10.5	8	8	*	*	8	*	*	8	*	*	8	*	*	8	*	*		

\* Solenoid valves with manual override can only be used at medium temperatures up to max. 60 °C. \*\* Minimum pressure of 2 bar required

**3/2-Way Solenoid Valve Battery - Type EAV Series 300**
**Illustration**

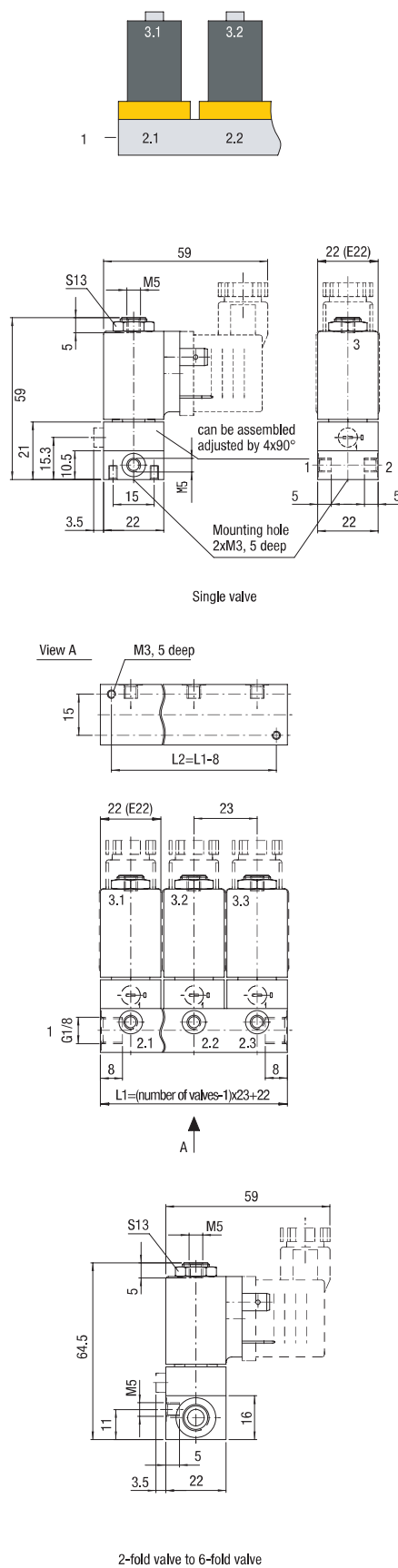
 Price group **51** "C" in 0 position "1" closed, "2" after "3" discharge

**Brass**

Material single manifold: Ms, multiple manifold: aluminium alloy, sealing material: NBR, solenoid valves: see type EAV series 300

Kv-value water [m³/h], QNn-value air [l/min] see type EAV series 300

Version	PN	Type	Order number	Price	
	without manual override for AC and DC not for L-coil	10	EAV-311/01-C15-M05B	609601	o. r.
	without manual override for all AC and DC coils	8	EAV-315/01-C15-M05B	609625	o. r.
	without manual override for DC not for L-coil	10	EAV-313/01-C15-M05B	609613	o. r.
	without manual override for all DC coils	8	EAV-317/01-C15-M05B	609637	o. r.
	without manual override, for E22, AC and DC not for L-coil	10	EAV-311/02-C15-M05B	609602	o. r.
	without manual override, for all E22, AC and DC coils	8	EAV-315/02-C15-M05B	609626	o. r.
	without manual override, for all E22, DC not for L-coil	10	EAV-313/02-C15-M05B	609614	o. r.
	without manual override, for all E22, DC coils	8	EAV-317/02-C15-M05B	609638	o. r.
	without manual override, for E22, AC and DC not for L-coil	10	EAV-311/03-C15-M05B	609603	o. r.
	without manual override, for all E22, AC and DC coils	8	EAV-315/03-C15-M05B	609627	o. r.
	without manual override, for all E22, DC not for L-coil	10	EAV-313/03-C15-M05B	609615	o. r.
	without manual override, for all E22, DC coils	8	EAV-317/03-C15-M05B	609639	o. r.
	without manual override, for E22, AC and DC not for L-coil	10	EAV-311/04-C15-M05B	609604	o. r.
	without manual override, for all E22, AC and DC coils	8	EAV-315/04-C15-M05B	609628	o. r.
	without manual override, for all E22, DC not for L-coil	10	EAV-313/04-C15-M05B	609616	o. r.
	without manual override, for all E22, DC coils	8	EAV-317/04-C15-M05B	609640	o. r.
	without manual override, for E22, AC and DC not for L-coil	10	EAV-311/05-C15-M05B	609605	o. r.
	without manual override, for all E22, AC and DC coils	8	EAV-315/05-C15-M05B	609629	o. r.
	without manual override, for all E22, DC not for L-coil	10	EAV-313/05-C15-M05B	609617	o. r.
	without manual override, for all E22, DC coils	8	EAV-317/05-C15-M05B	609641	o. r.
	without manual override, for E22, AC and DC not for L-coil	10	EAV-311/06-C15-M05B	609606	o. r.
	without manual override, for all E22, AC and DC coils	8	EAV-315/06-C15-M05B	609630	o. r.
	without manual override, for all E22, DC not for L-coil	10	EAV-313/06-C15-M05B	609618	o. r.
	without manual override, for all E22, DC coils	8	EAV-317/06-C15-M05B	609642	o. r.
	with manual override for AC and DC not for L-coil	10	EAV-321/01-C15-M05B	609651	o. r.
	with manual override for all AC and DC coils	8	EAV-325/01-C15-M05B	609675	o. r.
	with manual override, for E22, AC and DC not for L-coil	10	EAV-321/02-C15-M05B	609652	o. r.
	with manual override, for all E22, AC and DC coils	8	EAV-325/02-C15-M05B	609676	o. r.
	with manual override, for E22, AC and DC not for L-coil	10	EAV-321/03-C15-M05B	609653	o. r.
	with manual override, for all E22, AC and DC coils	8	EAV-325/03-C15-M05B	609677	o. r.
	with manual override, for E22, AC and DC not for L-coil	10	EAV-321/04-C15-M05B	609654	o. r.
	with manual override, for all E22, AC and DC coils	8	EAV-325/04-C15-M05B	609678	o. r.
	with manual override, for E22, AC and DC not for L-coil	10	EAV-321/05-C15-M05B	609655	o. r.
	with manual override, for all E22, AC and DC coils	8	EAV-325/05-C15-M05B	609679	o. r.
	with manual override, for E22, AC and DC not for L-coil	10	EAV-321/06-C15-M05B	609656	o. r.
	with manual override, for all E22, AC and DC coils	8	EAV-325/06-C15-M05B	609680	o. r.





**Permitted Operating Pressure for 3/2-Way Solenoid Valve Battery - Type EAV Series 300**

"C" in 0 position "1" closed,  
"2" after "3" discharge

DN	Type	PN	Combined solenoid coils			Permitted operating pressure [bar] at ambient temperature +60 °C										
			Type	Nominal power P <sub>20</sub>			AC 50 Hz  90 %U <sub>N</sub> Medium temperature		AC 60 Hz  90 %U <sub>N</sub> Medium temperature		DC  90 %U <sub>N</sub> Medium temperature		DC  90 %U <sub>N</sub> Medium temperature		DC  100 %U <sub>N</sub> Medium temperature	
				AC 50 Hz [VA]	AC 60 Hz [VA]	DC [W]	60°C	90°C	60°C	90°C	60°C	90°C	60°C	90°C	60°C	90°C
1.5	EAV-311/...-C15..	10	E22...M.	5.5	5	5	10	-	10	-	10	-	10	-	10	-
			E22...H.	-	-	8	-	-	-	-	10	-	10	-	10	-
	EAV-315/...-C15..	8	E22...L.	3.5	on req.	2.5	8	-	8	-	8	8**	8	8**	8	8**
			E22...M.	5.5	5	5	8	8	8	8	8	-	8	-	-	-
			E22...H.	-	-	8	-	-	-	-	8	-	8	-	8	-
	EAV-313/...-C15..	10	E22...M.	-	-	5	-	-	-	-	10	-	10	-	10	-
			E22...H.	-	-	8	-	-	-	-	10	-	10	-	10	-
	EAV-317/...-C15..	8	E22...L.	-	-	2.5	-	-	-	-	8	8**	8	8**	8	8**
			E22...M.	-	-	5	-	-	-	-	8	-	8	-	8	-
			E22...H.	-	-	8	-	-	-	-	8	-	8	-	8	-
	EAV-321/...-C15..	10	E22...M.	5.5	5	5	10	-	10	-	10	-	10	-	10	-
			E22...H.	-	-	8	-	-	-	-	10	-	10	-	10	-
	EAV-325/...-C15..	8	E22...L.	3.5	on req.	2.5	8	*	8	*	8	*	8**	*	8**	*
			E22...M.	5.5	5	5	8	-	8	*	8	-	8	-	8	-
			E22...H.	-	-	8	-	-	-	-	8	-	8	-	8	-

\* Solenoid valves with manual override can only be used at medium temperatures up to max. 60 °C.

\*\* Minimum pressure of 2 bar required

**Collector Manifold for Solenoid Valve - Type EAV Type ZAV Series 300**

Price group **51**

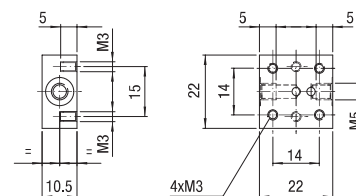
Alu blank

Solenoid valves type EAV series 300 can be assembled on the single and collector manifold. Single manifold made of Ms, multiple manifold made of aluminium alloy.

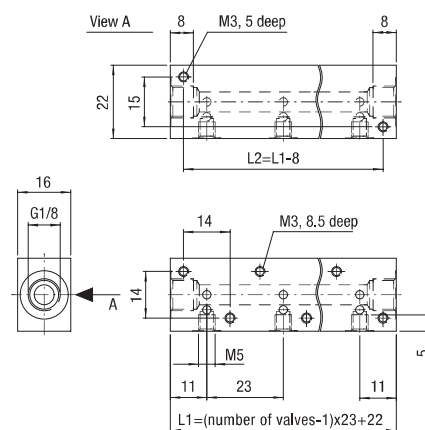
The collector manifold can however only be equipped with solenoid coils type E22. The permitted highest medium temperature is generally limited as follows:

solenoid coils E22-...L. 90 °C  
solenoid coils E22-...M. and E22-...H. 60 °C

Manifold	G	Type	Order number	Price
single manifold	M 5	ZAV-310-M05U	500269	a. A.
collector manifold 2-fold	pressure inlet "P": G 1/8 Outlet "A": M5	ZAV-310/02-M05A	500302	a. A.
collector manifold 3-fold	pressure inlet "P": G 1/8 Outlet "A": M5	ZAV-310/03-M05A	500303	a. A.
collector manifold 4-fold	pressure inlet "P": G 1/8 Outlet "A": M5	ZAV-310/04-M05A	500304	a. A.
collector manifold 5-fold	pressure inlet "P": G 1/8 Outlet "A": M5	ZAV-310/05-M05A	500305	a. A.
collector manifold 6-fold	pressure inlet "P": G 1/8 Outlet "A": M5	ZAV-310/06-M05A	500306	a. A.

**Illustration**


Single plate



Collector plate

AVS Römer

[www.avs-roemer.de](http://www.avs-roemer.de) E12F

Elektronisches Dosierventil

EFC-958-P310-8FF-024-10

DN 1 PNB

Vs=24V Vc=0-10V



AVS Römer

[www.avs-roemer.de](http://www.avs-roemer.de) E20

Leitfähigkeitssensor

ICS-958P3-8FF

1/4"-20x1/2" DN4

Vs=9-24V Vout=0-5V

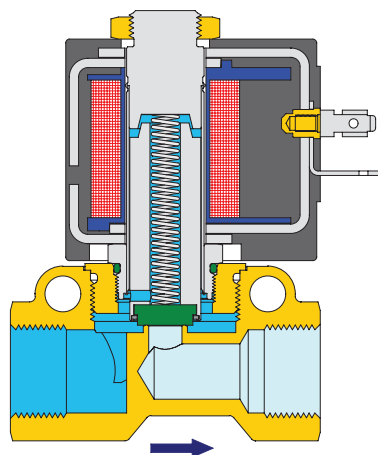
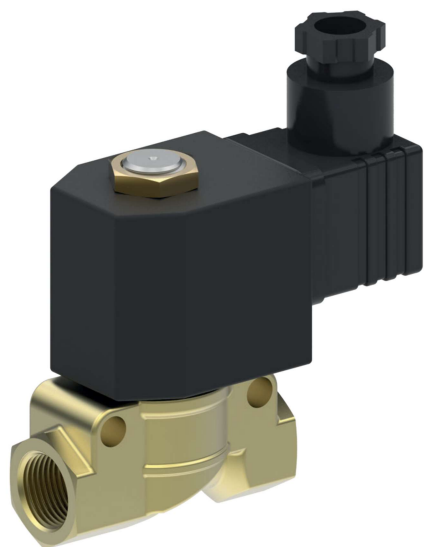


1

2

E18F



**DIGMA Solenoid Valves Type EBV Series 100**


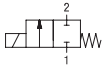
Direct-acting DC solenoid valve with traditional constructional design, however with significantly improved magnetic circuit.

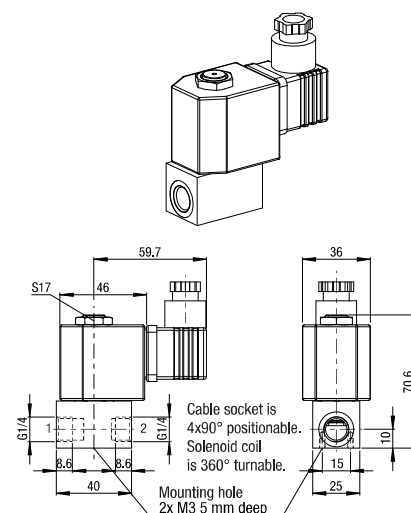
**CHARACTERISTICS**
**GENERAL**

Constructional design	Seat valve, elastomer seals	
Product name	2/2-way solenoid valve	
Actuation	electric, direct-acting,	
Product type	EBV-1.3-A..	EBV-153-A..
Function	"A" normally closed (closing with flow)	
Nominal diameter	DN 3, DN 4 or DN 6	
Port size	G 1/4	G 3/8
Ambient temperature	-20 °C to +60 °C (others on request)	
Medium temperature	for NBR: -10 °C to +90 °C for FKM -10 °C to +130 °C (others on request)	
Medium viscosity	up to approx. 20 mm <sup>2</sup> /s	
Valve body material	Brass	
Other internal component material	Stainless steel	
Seal material	NBR (Perbunan) or FKM (fluoride rubber)	
Solenoid housing material	plastic-moulded	
Mounting method	2 M3 tapped holes in valve body or using rigid pipework	2 mounting holes in valve body or using rigid pipework
Mounting position	optional, preferably upright	
<b>PNEUMATIC - HYDRAULIC</b>		
Nominal pressure	up to PN 16	
Pressure range	technical vacuum up to excess pressure corresponding to PN	
Flow rate	Kv-value and QNn-value according to type table	
Medium	gaseous or liquid media sealing material NBR: e.g. compressed air, water, hydraulic fluids, neutral gases sealing material FKM: e.g. solvents, hot water, hot air	
Response time	Opening time: approx. 40 ms, closing time: approx. 60 ms	
<b>ELECTRIC</b>		
Nominal voltage	12 or 24 V DC (other DC on request)	
Voltage tolerance	±10 %	
Nominal power P <sub>20</sub>	16 W	
Duty cycle	100 %	
Protection class	IP 65 (wiring box properly assembled)	

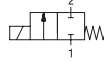
**2/2-Way Solenoid Valve - Direct-acting - Type EBV Series 100**

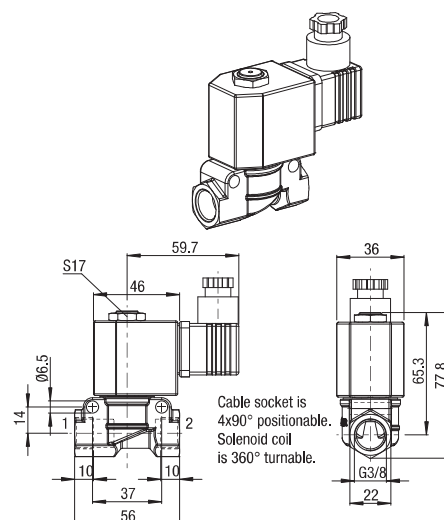
Price group	<b>55</b>	Port size	G 1/4	Function "A"	normally closed	<b>Brass</b>
-------------	-----------	-----------	-------	--------------	-----------------	--------------

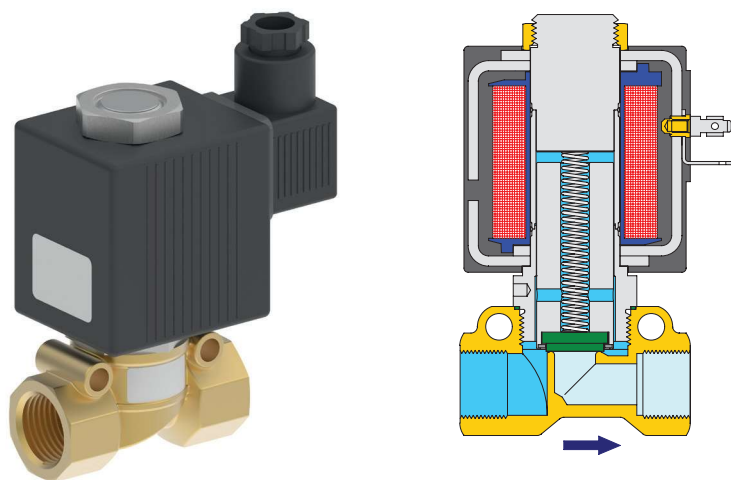
Version	DN	Kv-value water [m³/h]	QNn-value air [l/min]	G	PN	Sealing material	Voltage / current	Type	Order number	Price
Solenoid valve with Solenoid coil E36 including cable socket ESG-182 Pg 9 	3	0.28	285	G 1/4	16	NBR	12 V DC	EBV-113-A30-1/4B-012/=-S9	627303	o. r.
	3	0.28	285	G 1/4	16	FKM	12 V DC	EBV-113-A30-1/4F-012/=-S9	627304	o. r.
	4	0.5	520	G 1/4	10	NBR	12 V DC	EBV-113-A40-1/4B-012/=-S9	627305	o. r.
	4	0.5	520	G 1/4	10	FKM	12 V DC	EBV-113-A40-1/4F-012/=-S9	627306	o. r.
	6	0.8	850	G 1/4	5	NBR	12 V DC	EBV-113-A60-1/4B-012/=-S9	627307	o. r.
	6	0.8	850	G 1/4	5	FKM	12 V DC	EBV-113-A60-1/4F-012/=-S9	627308	o. r.
	3	0.28	285	G 1/4	16	NBR	24 V DC	EBV-113-A30-1/4B-024/=-S9	627313	o. r.
	3	0.28	285	G 1/4	16	FKM	24 V DC	EBV-113-A30-1/4F-024/=-S9	627314	o. r.
	4	0.5	520	G 1/4	10	NBR	24 V DC	EBV-113-A40-1/4B-024/=-S9	627315	o. r.
	4	0.5	520	G 1/4	10	FKM	24 V DC	EBV-113-A40-1/4F-024/=-S9	627316	o. r.
	6	0.8	850	G 1/4	5	NBR	24 V DC	EBV-113-A60-1/4B-024/=-S9	627317	o. r.
	6	0.8	850	G 1/4	5	FKM	24 V DC	EBV-113-A60-1/4F-024/=-S9	627318	o. r.

**Illustration**

**2/2-Way Solenoid Valve - Direct-acting - Type EBV Series 100**

Price group	<b>55</b>	Port size	G 3/8	Function "A"	normally closed	<b>Brass</b>
-------------	-----------	-----------	-------	--------------	-----------------	--------------

Version	DN	Kv-value water [m³/h]	QNn-value air [l/min]	G	PN	Sealing material	Voltage / current	Type	Order number	Price
Solenoid valve with Solenoid coil E36 including cable socket ESG-182 Pg 9 	3	0.28	285	G 3/8	16	NBR	12 V DC	EBV-153-A30-3/8B-012/=-S9	627321	o. r.
	3	0.28	285	G 3/8	16	FKM	12 V DC	EBV-153-A30-3/8F-012/=-S9	627322	o. r.
	4	0.5	520	G 3/8	10	NBR	12 V DC	EBV-153-A40-3/8B-012/=-S9	627323	o. r.
	4	0.5	520	G 3/8	10	FKM	12 V DC	EBV-153-A40-3/8F-012/=-S9	627324	o. r.
	6	0.8	850	G 3/8	5	NBR	12 V DC	EBV-153-A60-3/8B-012/=-S9	627325	o. r.
	6	0.8	850	G 3/8	5	FKM	12 V DC	EBV-153-A60-3/8F-012/=-S9	627326	o. r.
	3	0.28	285	G 3/8	16	NBR	24 V DC	EBV-153-A30-3/8B-024/=-S9	627331	o. r.
	3	0.28	285	G 3/8	16	FKM	24 V DC	EBV-153-A30-3/8F-024/=-S9	627332	o. r.
	4	0.5	520	G 3/8	10	NBR	24 V DC	EBV-153-A40-3/8B-024/=-S9	627333	o. r.
	4	0.5	520	G 3/8	10	FKM	24 V DC	EBV-153-A40-3/8F-024/=-S9	627334	o. r.
	6	0.8	850	G 3/8	5	NBR	24 V DC	EBV-153-A60-3/8B-024/=-S9	627335	o. r.
	6	0.8	850	G 3/8	5	FKM	24 V DC	EBV-153-A60-3/8F-024/=-S9	627336	o. r.

**Illustration**


**DIGMA Solenoid Valves Type EDV Series 200**

**CHARACTERISTICS**
**GENERAL**

Constructional design	Seat valve, elastomer or high-performance plastic seals
Product name	2/2-way solenoid valve
Actuation	electric, direct-acting
Product type	EDV-213-A..
Function	“A” normally closed (closing with flow)
Nominal diameter	DN 3 to DN 10
Port sizes	G 3/8 and G 1/2
Ambient temperature	-20 °C to +60 °C (others on request)
Medium temperature	for NBR: -10 °C to +90 °C *, for PTFE: -40 °C to +130 °C, for FKM and EPDM: -10 °C to +130 °C
Medium viscosity	up to ca. 20 mm <sup>2</sup> /s
Valve body material	Brass
Other internal component material	Stainless steel
Seat seal material	FKM, EPDM, NBR or PTFE
Material guide tube seal	FKM (also with PTFE seat seal), EPDM or NBR
Material of magnet coil	Thermoplastic
Mounting method	by 2 mounting bores in the valve body or in rigid pipe system
Mounting position	optional, preferably upright

**PNEUMATIC - HYDRAULIC**

Nominal pressure [bar]	up to PN 30, according to type table
Pressure range	technical vacuum up to excess pressure corresponding to PN
Flow rate	Kv-value and QNn-value according to type table
Medium	Neutrals gaseous or liquid media sealing material Sealing material NBR: e.g. compressed air, water, hydraulic fluids, neutral gases sealing material Sealing material PTFE: e.g. solvents, hot water, water vapour, hot air Sealing material EPDM: e.g. hot water Sealing material FKM: e.g. Solvents, hot water, hot air over 90 °C
Response time electric	Opening time: 120 - 160 ms, closing time: 120 - 140 ms see under Solenoids

\* Medium temperatures over 60 °C limit permitted ambient temperature, duty cycle and / or permitted overvoltage.

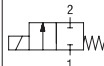
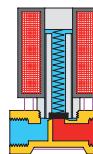
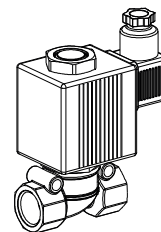
**2/2-Way Solenoid Valve - Type EDV Series 200**

 Price group **55** "A" normally closed

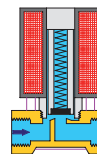
**Brass**

Version	DN	Kv-value water [m³/h]	QnN-value air [l/min]	G	PN	Sealing material	type	Order number	Price
	3	0.28	285	G 3/8	30	FKM	EDV-213-A30-3/8F-00	684200	o. r.
	3	0.28	285	G 3/8	30	EPDM	EDV-213-A30-3/8P-00	684207	o. r.
	3	0.28	285	G 3/8	30	NBR	EDV-213-A30-3/8B-00	684214	o. r.
	3	0.28	285	G 3/8	30	PTFE	EDV-213-A30-3/8T-00	684221	o. r.
	4	0.5	520	G 3/8	20	FKM	EDV-213-A40-3/8F-00	684201	o. r.
	4	0.5	520	G 3/8	20	EPDM	EDV-213-A40-3/8P-00	684208	o. r.
	4	0.5	520	G 3/8	20	NBR	EDV-213-A40-3/8B-00	684215	o. r.
	4	0.5	520	G 3/8	20	PTFE	EDV-213-A40-3/8T-00	684222	o. r.
	6	0.8	850	G 3/8	10	FKM	EDV-213-A60-3/8F-00	684202	o. r.
	6	0.8	850	G 3/8	10	EPDM	EDV-213-A60-3/8P-00	684209	o. r.
	6	0.8	850	G 3/8	10	NBR	EDV-213-A60-3/8B-00	684216	o. r.
	6	0.8	850	G 3/8	10	PTFE	EDV-213-A60-3/8T-00	684223	o. r.
	6	0.8	850	G 1/2	10	FKM	EDV-213-A60-1/2F-00	684203	o. r.
	6	0.8	850	G 1/2	10	EPDM	EDV-213-A60-1/2P-00	684210	o. r.
	6	0.8	850	G 1/2	10	NBR	EDV-213-A60-1/2B-00	684217	o. r.
	6	0.8	850	G 1/2	10	PTFE	EDV-213-A60-1/2T-00	684224	o. r.
	10	1.7	1670	G 3/8	2.5	FKM	EDV-213-A10-3/8F-00	684204	o. r.
	10	1.7	1670	G 3/8	2.5	EPDM	EDV-213-A10-3/8P-00	684211	o. r.
	10	1.7	1670	G 3/8	2.5	NBR	EDV-213-A10-3/8B-00	684218	o. r.
	10	1.7	1670	G 3/8	2.5	PTFE	EDV-213-A10-3/8T-00	684225	o. r.
	10	1.7	1670	G 1/2	2.5	FKM	EDV-213-A10-1/2F-00	684205	o. r.
	10	1.7	1670	G 1/2	2.5	EPDM	EDV-213-A10-1/2P-00	684212	o. r.
	10	1.7	1670	G 1/2	2.5	NBR	EDV-213-A10-1/2B-00	684219	o. r.
	10	1.7	1670	G 1/2	2.5	PTFE	EDV-213-A10-1/2T-00	684226	o. r.

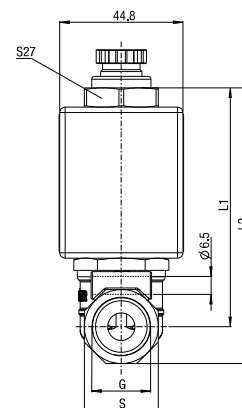
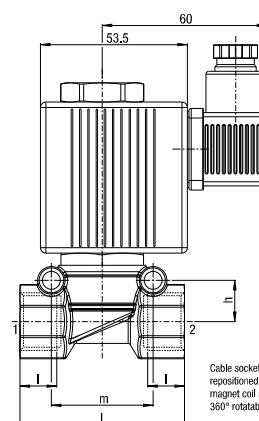
For all DC magnet coils


**Illustration**


0-position



Operational position



G	L	I	L1	L2	m	h	S
G 3/8	56	10	89,5	102	37	14	22
G 1/2	60	13,5	91	104,5	37	15	27

**Stainless Steel Variant 2/2-Way Solenoid Valve - Type EDV Series 200**
**Stainless steel**

2/2-way solenoid valve with stainless steel body 1.4305

type EDV-213X5-A...

**Variant Illustration**
